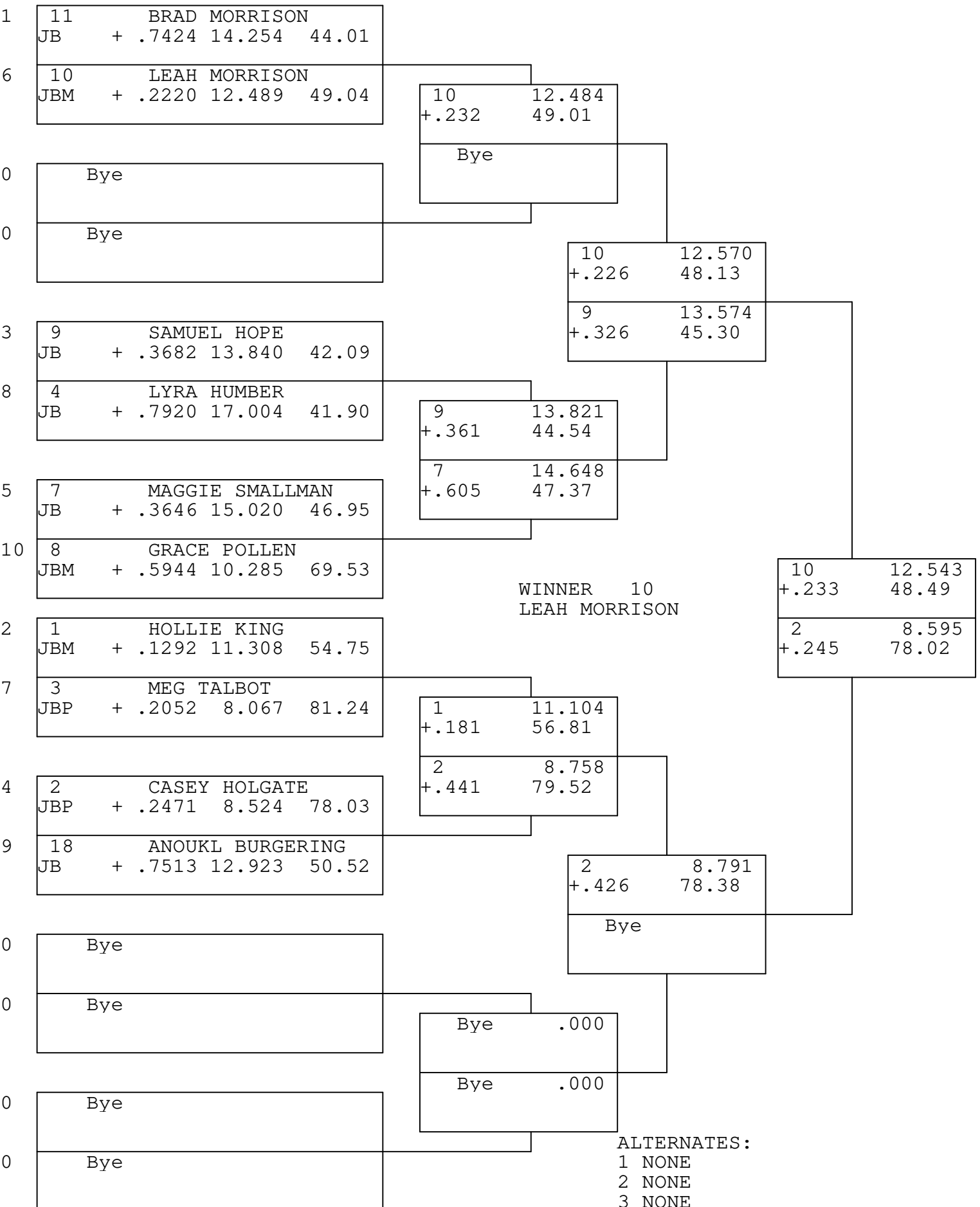


Summer Nationals

JUNIOR DRAG BIKE

TSI RACENET SYSTEM
PROGRESSIVE LADDER FOR 10 CARS

2022-07-03
19:16:46



WINNER 10
LEAH MORRISON

ALTERNATES:
1 NONE
2 NONE
3 NONE